

## Single-hole basin mixer with pop-up waste

22 302 892



- 100 mm projection
- US pop-up waste (only used in the USA)
- pivotable spout 360°
- circular, air-enriched flow
- height of mixer 235 mm
- height up to aerator 134 mm
- hole diameter 35 mm
- rosette Ø 59 mm
- 2 x pressure hose with 3/8" cap nut
- max. flow 4.5 l/min
- lead-free

### Codes & standards

- NSF/ANSI 372
- This product can help a building to meet requirements of Green Building Rating Systems, e.g. LEED®, BREEAM®, DGNB, WELL

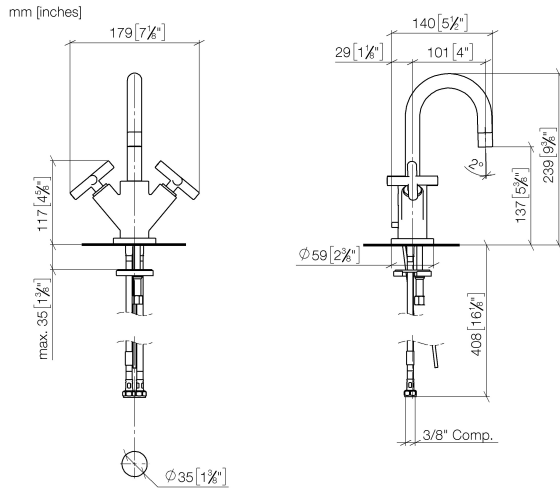
Only suitable for basins with an overflow.

	Chrome	22 302 892-00 0010
	Brushed Platinum	22 302 892-06 0010
	Platinum	22 302 892-08 0010
	Matte White	22 302 892-10 0010
	Dark Chrome	22 302 892-19 0010
	Brushed Durabronze (23kt Gold)	22 302 892-28 0010
	Matte Black	22 302 892-33 0010
	Brushed Champagne (22kt Gold)	22 302 892-46 0010
	Champagne (22kt Gold)	22 302 892-47 0010
	Brushed Chrome	22 302 892-93 0010
	Brushed Dark Platinum	22 302 892-99 0010

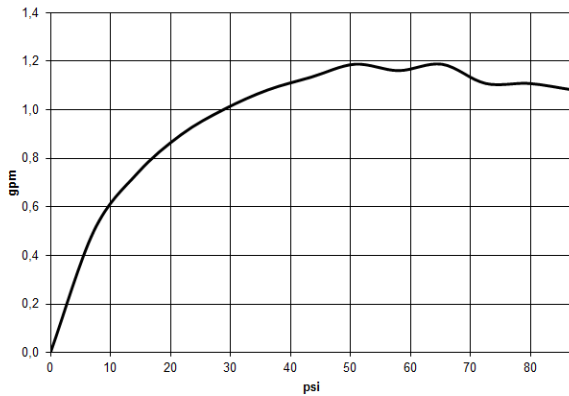


# Single-hole basin mixer with pop-up waste

22 302 892



## Flow rate chart



## Codes & Standards

ADA

ASME  
A112.18.1/CSA  
B125.1

California Energy  
Commission  
(CEC)

NSF/ANSI 372

NSF/ANSI/CAN  
61

# Single-hole basin mixer with pop-up waste

22 302 892

