






Three-hole basin mixer with pop-up waste

20 713 821



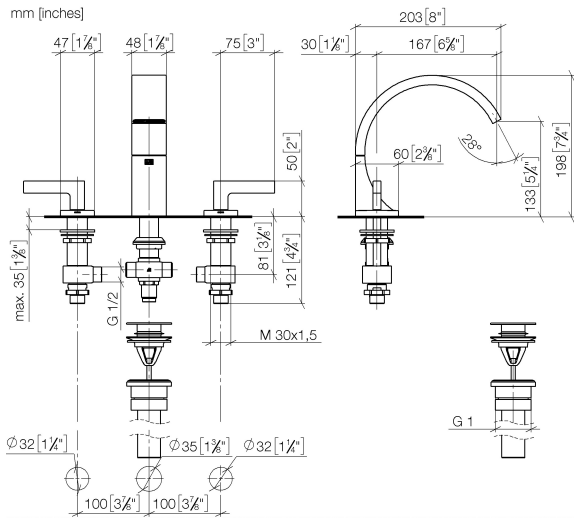
- 167 mm projection
- 1 1/4" pop-up waste
- fixed spout
- rectangular, air-enriched flow
- height of mixer 198 mm
- height up to aerator 133 mm
- hole diameter spout 35 mm
- hole diameter valve 32 mm
- rosette for deck valve 60 x 60mm
- max. flow 4.5 l/min
- lead-free
- with hot / cold marking
- This product can help a building to meet requirements of Green Building Rating Systems, e.g. LEED®, BREEAM®, DGNB, WELL

Only suitable for basins with an overflow.

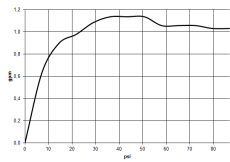
	Chrome	20 713 821-00 0010
	Brushed Platinum	20 713 821-06 0010
	Dark Chrome	20 713 821-19 0010
	Brushed Durabronze (23kt Gold)	20 713 821-28 0010
	Brushed Dark Platinum	20 713 821-99 0010

Three-hole basin mixer with pop-up waste

20 713 821

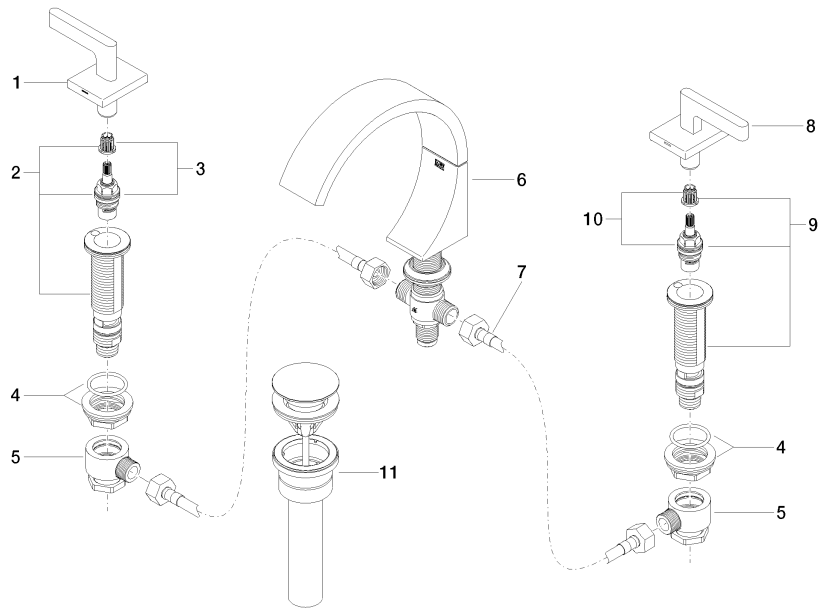


Flow rate chart



Three-hole basin mixer with pop-up waste

20 713 821



Spare parts list

No.	Item Number	Name	Quantity used	Delivery time
1	90 20 70 057 02-00	handle (hot)	1	10
2	04 17 11 058 53 90	side panel	1	2
3	90 90 03 153 00 90	top	1	2
4	04 23 10 032 78 90	fixing set	2	2
5	04 17 11 023 10 90	distributor	2	2
6	13 717 811-00	Deck-mounted basin spout without pop-up waste	1	10
7	04 30 04 096 00 90	hose	2	2
8	90 20 70 057 03-00	handle (cold)	1	10
9	04 17 11 058 52 90	side panel	1	2
10	90 90 03 152 00 90	top	1	2
11	10 125 970-00 0010	Basin Waste 1 1/4"	1	2