

Three-hole basin mixer with pop-up waste

20 713 819

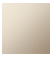


- 168 mm projection
- US pop-up waste (only used in the USA)
- pivotable spout 360°
- circular, air-enriched flow
- height of mixer 280 mm
- height up to aerator 191 mm
- hole diameter valve 32 mm
- hole diameter spout 35 mm
- rosette Ø 60 mm
- max. flow 4.5 l/min
- lead-free

Codes & standards

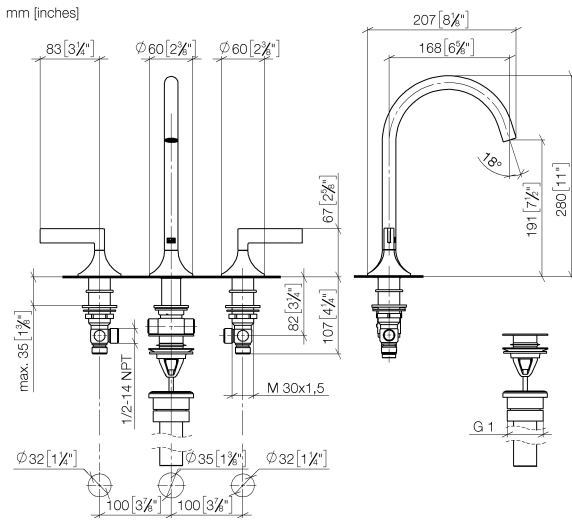
- NSF/ANSI 372
- This product can help a building to meet requirements of Green Building Rating Systems, e.g. LEED®, BREEAM®, DGNB, WELL

Only suitable for basins with an overflow.

	Chrome	20 713 819-00 0010
	Brushed Platinum	20 713 819-06 0010
	Platinum	20 713 819-08 0010
	Dark Chrome	20 713 819-19 0010
	Brushed Durabronze (23kt Gold)	20 713 819-28 0010
	Brushed Champagne (22kt Gold)	20 713 819-46 0010
	Champagne (22kt Gold)	20 713 819-47 0010
	Brushed Dark Platinum	20 713 819-99 0010

Three-hole basin mixer with pop-up waste

20 713 819



Codes & Standards

ADA

ASME
A112.18.1/CSA
B125.1

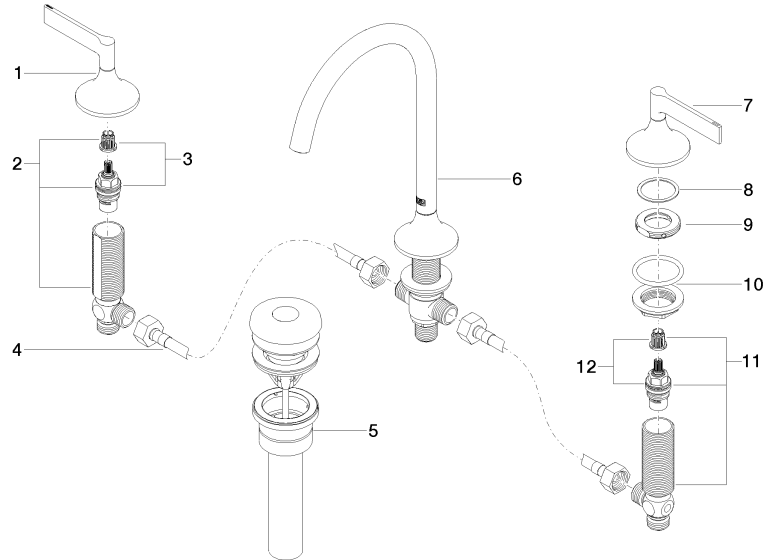
California Energy
Commission
(CEC)

NSF/ANSI 372

NSF/ANSI/CAN
61

Three-hole basin mixer with pop-up waste

20 713 819



Spare parts list

No.	Item Number	Name	Quantity used	Delivery time
1	90 20 80 013 00-00	handle (hot)	1	10
2	04 17 11 055 51 90	side panel	1	2
3	90 90 03 151 00 90	top	1	2
4	04 30 04 096 00 90	hose	1	2
5	10 125 970-00 0010	Basin Waste 1 1/4"	1	2
6	13 716 809-00 0010	Deck-mounted basin spout without pop-up waste	1	10
7	90 20 80 012 00-00	handle (cold)	1	10
8	09 28 10 003 90	ring	2	2
9	09 24 01 028 90	ring	2	2
10	04 23 10 032 46 90	fixing set	2	2
11	04 17 11 055 50 90	side panel	1	2
12	90 90 03 150 00 90	top	1	2