

## Three-hole basin mixer with pop-up waste

---

20 713 710

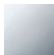



- 155 mm projection
- fixed spout
- US pop-up waste (only used in the USA)
- circular, air-enriched flow
- height of mixer 114 mm
- height up to aerator 90 mm
- hole diameter valve 32 mm
- hole diameter spout 35 mm
- rosette 47 x 55 mm
- 2x screw-in M 8 x 1 pressure hose, leak-tested
- max. flow 4.5 l/min
- lead-free

### Codes & standards

- NSF/ANSI 372
- This product can help a building to meet requirements of Green Building Rating Systems, e.g. LEED®, BREEAM®, DGNB, WELL

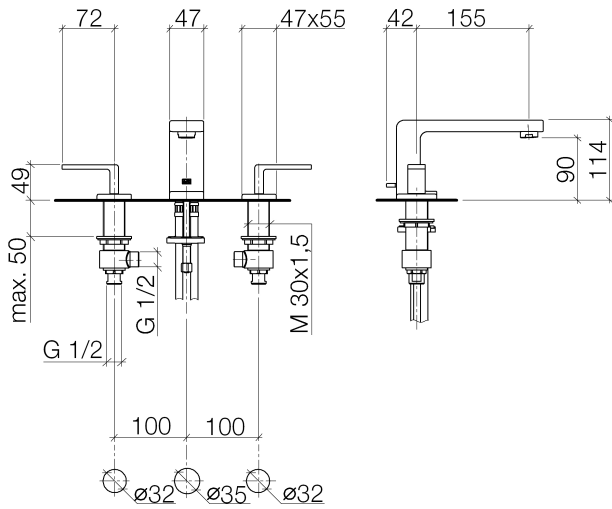
Only suitable for basins with an overflow.

	Chrome	20 713 710-00 0010
	Brushed Platinum	20 713 710-06 0010

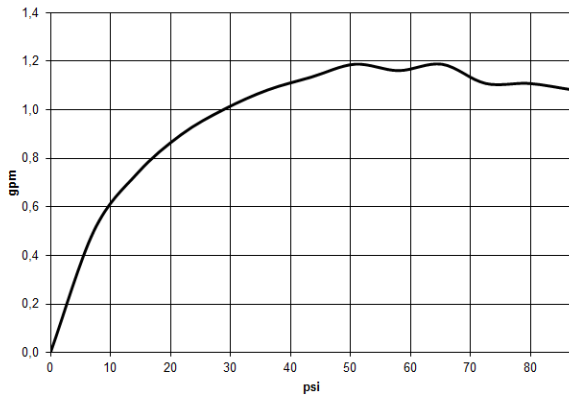


## Three-hole basin mixer with pop-up waste

20 713 710



### Flow rate chart



### Codes & Standards

ADA

ASME  
A112.18.1/CSA  
B125.1

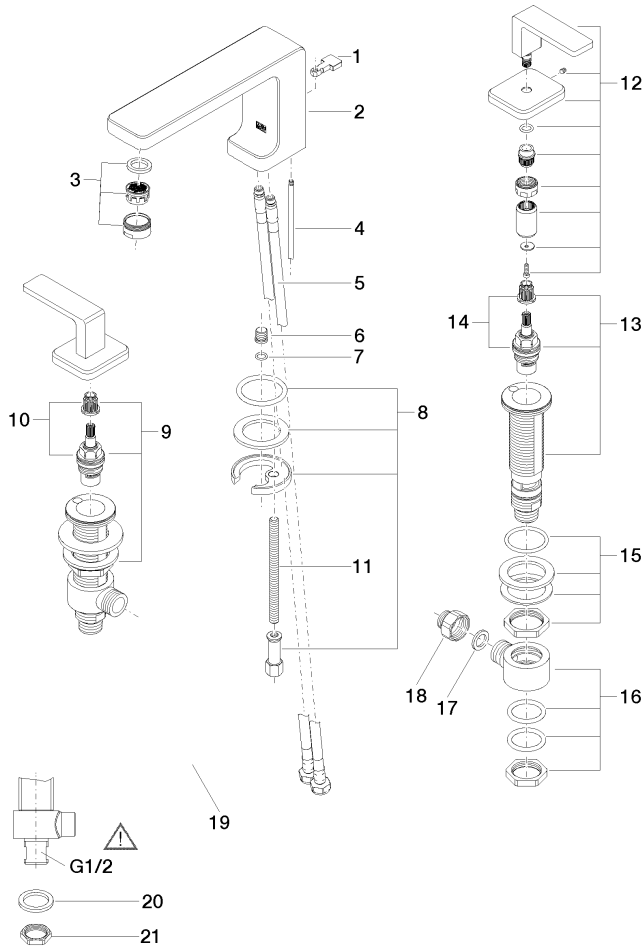
California Energy  
Commission  
(CEC)

NSF/ANSI 372

NSF/ANSI/CAN  
61

**Three-hole basin mixer with pop-up waste**

20 713 710



**Spare parts list**

No.	Item Number	Name	Quantity used	Delivery time
1	09 20 71 033-00	handle	1	10
2	09 11 71 095 10-00	spout	1	10
3	90 23 01 118 04-00	aerator	1	10
4	09 31 09 080-00	pull-rod	1	10
5	04 30 04 102 00 90	High pressure hose 3/8"	2	2
6	09 31 20 065 90	plug	1	2
7	09 14 10 060 90	seal	1	2
8	04 30 11 038 75 90	fixing set	1	2
9	04 17 11 058 53 90	side panel	1	2
10	90 90 03 153 00 90	top	1	2
11	09 31 11 012 90	pin	1	2
12	90 20 71 046 01-00	handle	2	10
13	04 17 11 058 52 90	side panel	1	2
14	90 90 03 152 00 90	top	1	2
15	04 23 10 032 78 90	fixing set	2	2
16	04 17 11 023 10 90	distributor	2	2
17	09 14 20 002 90	seal	2	60
18	09 24 03 185-00	nipple	2	10
19	04 11 01 023 00-00	Basin Waste US 1 1/4"	1	2
20	09 30 11 059 90	disc	2	2
21	09 23 10 012 90	nut	2	2