

Three-hole basin mixer with pop-up waste

20 713 670

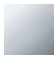




- 165 mm projection
- US pop-up waste (only used in the USA)
- fixed spout
- rectangular, air-enriched flow
- height of mixer 220 mm
- height up to aerator 170 mm
- hole diameter valve 32 mm
- hole diameter spout 35 mm
- rosette 60 x 60 mm
- 2x screw-in M 10 x 1 pressure hose, leak-tested
- max. flow 4.5 l/min
- lead-free

Codes & standards

- NSF/ANSI 372
- This product can help a building to meet requirements of Green Building Rating Systems, e.g. LEED®, BREEAM®, DGNB, WELL

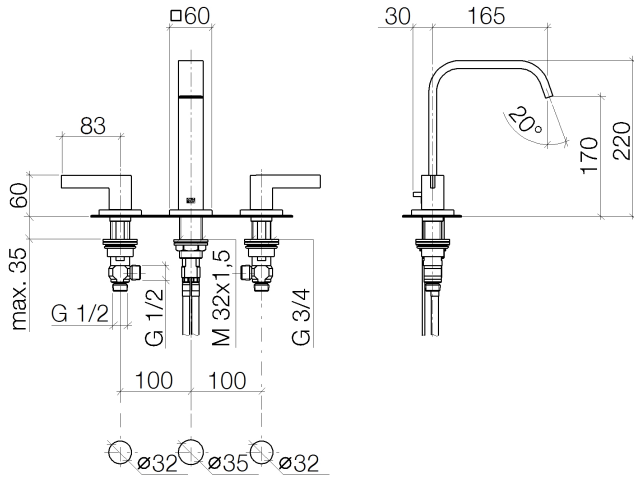
Only suitable for basins with an overflow.

	Chrome	20 713 670-00 0010
	Brushed Platinum	20 713 670-06 0010
	Brushed Chrome	20 713 670-93 0010

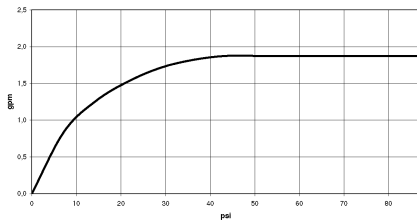


Three-hole basin mixer with pop-up waste

20 713 670



Flow rate chart



Codes & Standards

ADA

ASME
A112.18.1/CSA
B125.1

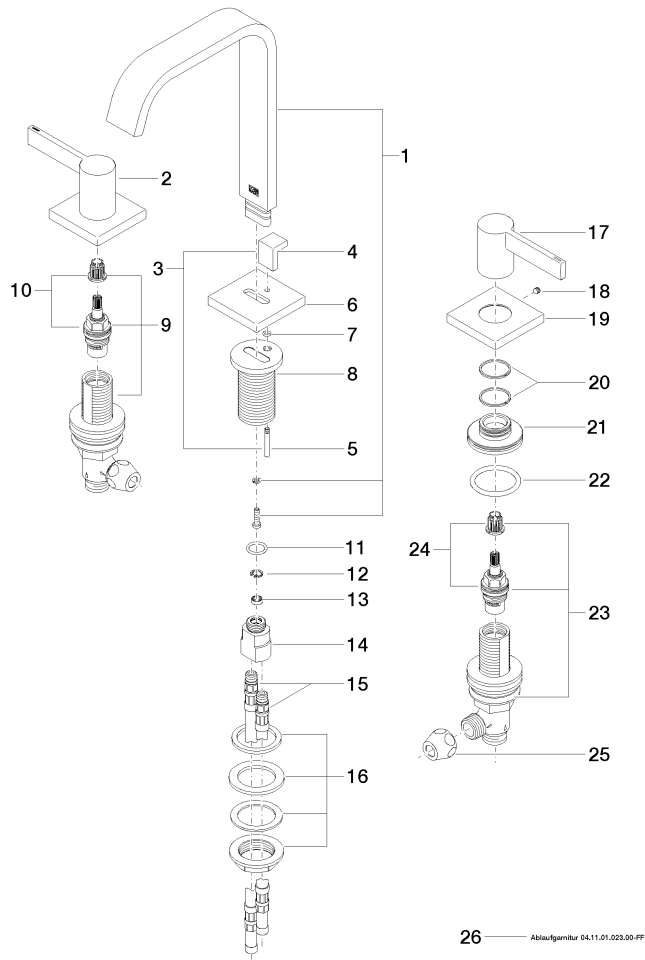
California Energy
Commission
(CEC)

NSF/ANSI 372

NSF/ANSI/CAN
61

Three-hole basin mixer with pop-up waste

20 713 670



26 — Ablaufgerät 04.11.01.023.00-FF



Three-hole basin mixer with pop-up waste

20 713 670

Spare parts list

No.	Item Number	Name	Quantity used	Delivery time
1	90 28 22 267 01-00	spout	1	10
2	09 20 67 011-00	handle (hot)	1	10
3	04 20 78 030 80-00	pull-rod	1	10
4	09 20 78 030-00	handle	1	10
5	09 31 09 080-00	pull-rod	1	10
6	09 27 78 032-00	rosette	1	10
7	09 14 10 166 90	seal	1	2
8	09 11 10 054 10 90	connection	1	2
9	90 17 11 040 53 90	side panel	1	2
10	90 90 03 153 00 90	top	1	2
11	09 14 10 130 90	seal	1	2
12	09 16 01 016 90	ring	1	2
13	09 23 01 033 90	flow reducer	1	2
14	09 11 10 055 10 90	connection	1	2
15	04 30 04 016 00 90	hose	2	60
16	04 23 10 009 01 90	fixing set	1	2
17	09 20 67 012-00	handle (cold)	1	10
18	04 31 11 112 00 90	pin	1	2
19	09 27 22 043-00	rosette	1	10
20	09 14 15 014 90	ring	1	2
21	09 30 11 198-00	disc	1	10
22	09 14 10 036 90	seal	1	2
23	90 17 11 040 52 90	side panel	1	2
24	90 90 03 152 00 90	top	1	2
25	04 23 30 040 00-00	threaded connector	2	10
26	04 11 01 023 00-00	Basin Waste US 1 1/4"	1	2