

Three-hole basin mixer with pop-up waste

20 710 892



- 135 mm projection
- US pop-up waste (only used in the USA)
- pivotable spout 360°
- circular, air-enriched flow
- height of mixer 270 mm
- height up to aerator 161 mm
- hole diameter valve 32 mm
- hole diameter spout 35 mm
- rosette Ø 55 mm
- 2x screw-in M 10 x 1 pressure hose, leak-tested
- max. flow 4.5 l/min
- lead-free

Codes & standards

- NSF/ANSI 372
- This product can help a building to meet requirements of Green Building Rating Systems, e.g. LEED®, BREEAM®, DGNB, WELL

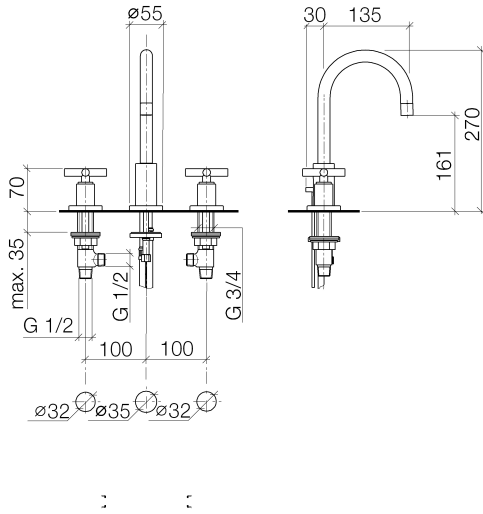
Only suitable for basins with an overflow.

	Chrome	20 710 892-00 0010
	Brushed Platinum	20 710 892-06 0010
	Platinum	20 710 892-08 0010
	Matte White	20 710 892-10 0010
	Dark Chrome	20 710 892-19 0010
	Brushed Durabronze (23kt Gold)	20 710 892-28 0010
	Matte Black	20 710 892-33 0010
	Brushed Champagne (22kt Gold)	20 710 892-46 0010
	Champagne (22kt Gold)	20 710 892-47 0010
	Brushed Chrome	20 710 892-93 0010
	Brushed Dark Platinum	20 710 892-99 0010

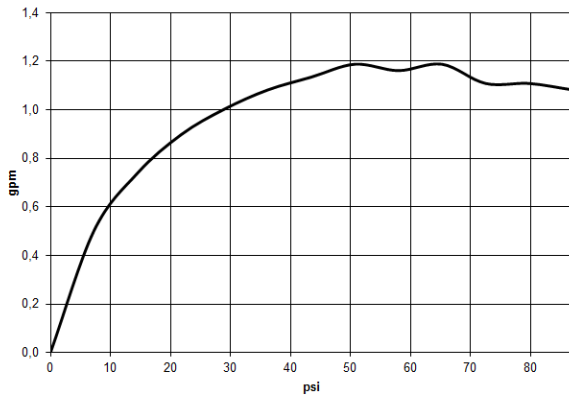


Three-hole basin mixer with pop-up waste

20 710 892



Flow rate chart



Codes & Standards

ADA

ASME
A112.18.1/CSA
B125.1

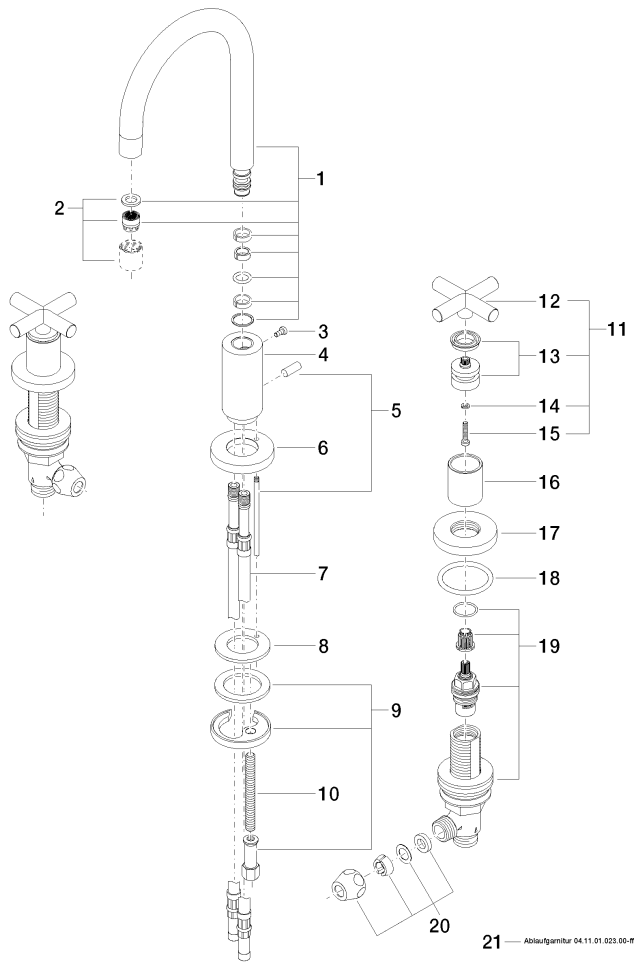
California Energy
Commission
(CEC)

NSF/ANSI 372

NSF/ANSI/CAN
61

Three-hole basin mixer with pop-up waste

20 710 892



21 — Ablaufsperrtur 04.11.01.023.00-m