








Three-hole basin mixer with pop-up waste without design element

20 710 811



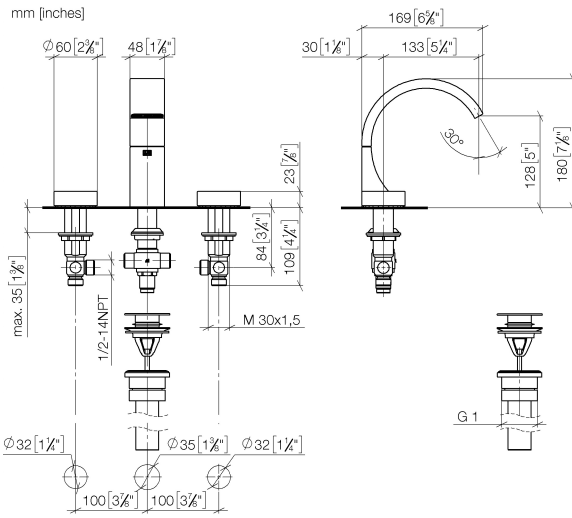
- 133 mm projection
- 1 1/4" pop-up waste
- fixed spout
- rectangular, air-enriched flow
- height of mixer 180 mm
- height up to aerator 128 mm
- hole diameter spout 35 mm
- hole diameter valve 32 mm
- handle Ø 60mm
- max. flow 4.5 l/min
- lead-free
- This product can help a building to meet requirements of Green Building Rating Systems, e.g. LEED®, BREEAM®, DGNB, WELL

NOTE: The handle inserts must be ordered separately from the fittings!

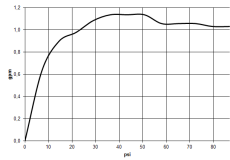
	Chrome	20 710 811-00 0010
	Brushed Platinum	20 710 811-06 0010
	Dark Chrome	20 710 811-19 0010
	Brushed Durabronze (23kt Gold)	20 710 811-28 0010
	Platinum / Brushed Platinum	20 710 811-36 0010
	Durabronze / Brushed Durabronze (23kt Gold)	20 710 811-38 0010
	Brushed Dark Platinum	20 710 811-99 0010

Three-hole basin mixer with pop-up waste without design element

20 710 811



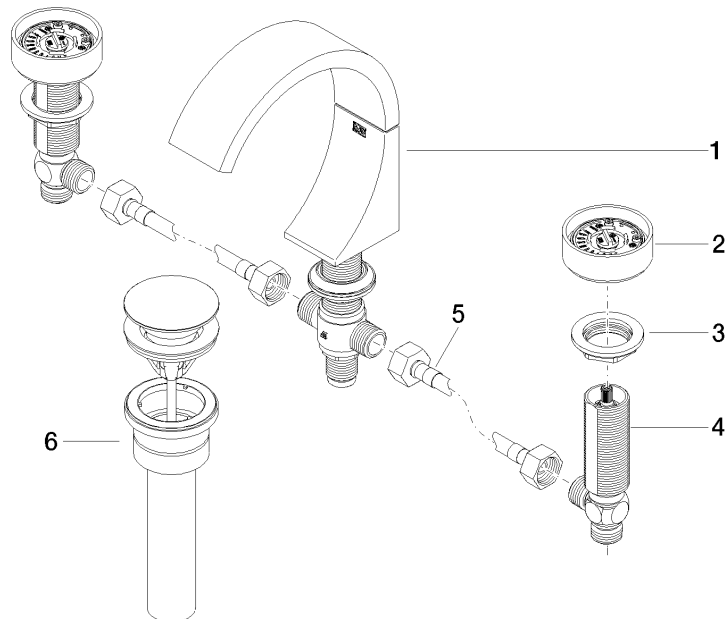
Flow rate chart



Three-hole basin mixer with pop-up waste without design element

20 710 811

Parts for other finishes can be found here: [Brushed](#)
[Platinum](#)



Spare parts list

No.	Item Number	Name	Quantity used	Delivery time
1	13 715 811-00	Deck-mounted basin spout without pop-up waste	1	10
2	90 18 40 290 00-00	handle	2	10
3	04 30 11 038 67 90	fixing set	2	2
4	04 17 11 055 61 90	side panel	2	2
5	04 30 04 096 00 90	hose	2	2
6	10 125 970-00 0010	Basin Waste 1 1/4"	1	2