

## Deck valve clockwise closing cold

---

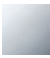


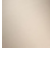


20 004 705



- hole diameter 32 mm
- rosette 60 x 47 mm
- with cold marking

**Codes & standards**

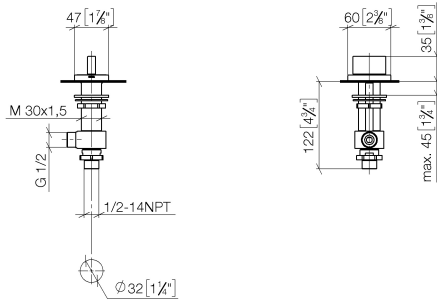
- NSF/ANSI 372

	Chrome	20 004 705-00
	Brushed Platinum	20 004 705-06
	Dark Chrome	20 004 705-19
	Brushed Champagne (22kt Gold)	20 004 705-46
	Champagne (22kt Gold)	20 004 705-47
	Brushed Dark Platinum	20 004 705-99

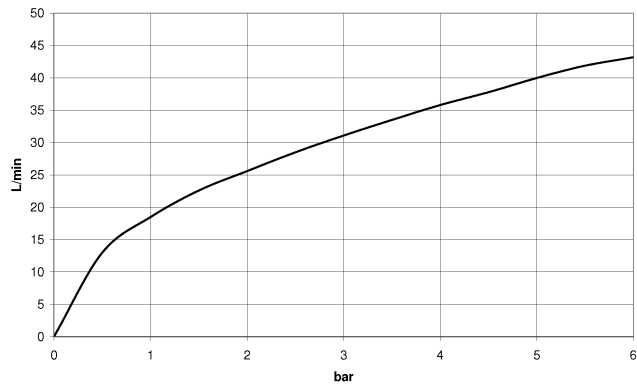
**Deck valve clockwise closing cold**

20 004 705

mm [inches]



**Flow rate chart**



**Codes & Standards**

ADA

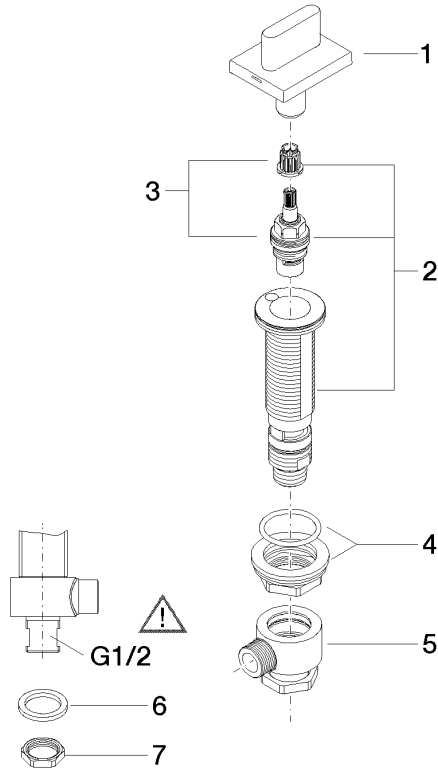
ASME  
A112.18.1/CSA  
B125.1

NSF/ANSI 372

NSF/ANSI/CAN  
61

**Deck valve clockwise closing cold**

20 004 705



**Spare parts list**

No.	Item Number	Name	Quantity used	Delivery time
1	90 20 70 051 06-00	handle ( cold )	1	10
2	04 17 11 058 53 90	side panel	1	2
3	90 90 03 153 00 90	top	1	2
4	04 23 10 032 78 90	fixing set	1	2
5	04 17 11 023 10 90	distributor	1	2
6	04 23 30 040 00-00	threaded connector	1	10
7	09 30 11 059 90	disc	1	2
8	09 23 10 012 90	nut	1	2