

Deck valve clockwise closing cold

20 000 809



- hole diameter 32 mm
- rosette Ø 60 mm
- with cold marking
- WRAS: 1802012

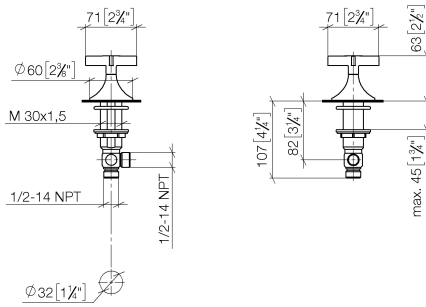
Codes & standards

	Chrome	20 000 809-00
	Brushed Platinum	20 000 809-06
	Platinum	20 000 809-08
	Dark Chrome	20 000 809-19
	Brushed Durabronze (23kt Gold)	20 000 809-28
	Brushed Champagne (22kt Gold)	20 000 809-46
	Champagne (22kt Gold)	20 000 809-47
	Brushed Dark Platinum	20 000 809-99

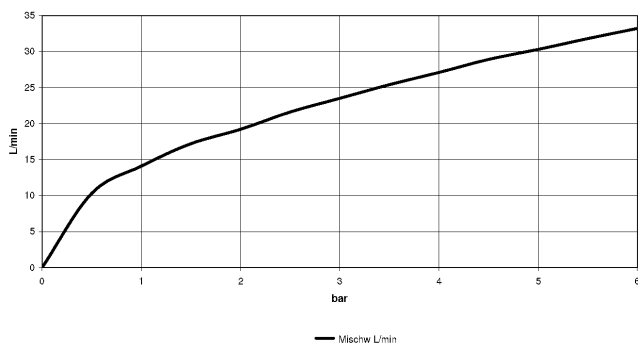
Deck valve clockwise closing cold

20 000 809

mm [inches]



Flow rate chart



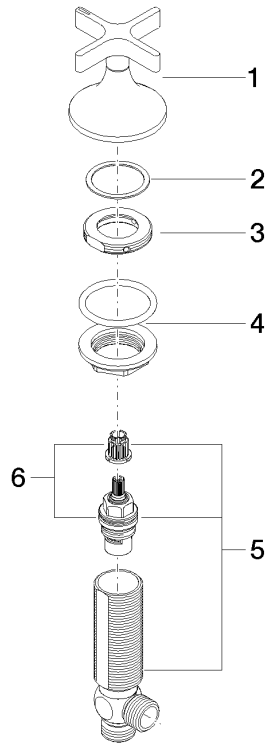
Codes & Standards

ADA

ASME
A112.18.1/CSA
B125.1

Deck valve clockwise closing cold

20 000 809



Spare parts list

No.	Item Number	Name	Quantity used	Delivery time
1	90 20 80 010 00-00	handle (cold)	1	10
2	09 28 10 003 90	ring	1	2
3	09 24 01 028 90	ring	1	2
4	04 23 10 032 46 90	fixing set	1	2
5	04 17 11 055 31 90	side panel	1	2
6	90 90 03 131 00 90	top	1	2