

## Pillar tap cold water

17 500 809



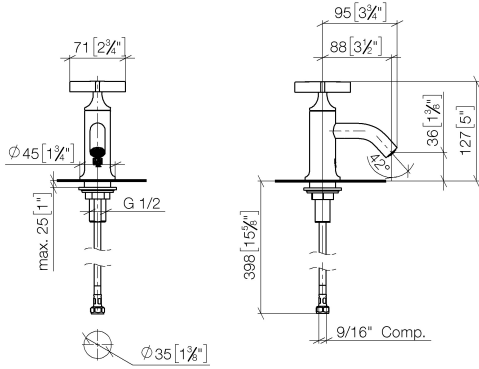
- 89 mm projection
- fixed spout
- circular, air-enriched flow
- height of mixer 127 mm
- height up to aerator 35 mm
- hole diameter 35 mm
- 1/2" connection
- rosette Ø 45 mm
- max. flow 4.5 l/min
- lead-free

	Chrome	17 500 809-00 0010
	Brushed Platinum	17 500 809-06 0010
	Platinum	17 500 809-08 0010
	Dark Chrome	17 500 809-19 0010
	Brushed Durabronze (23kt Gold)	17 500 809-28 0010
	Brushed Champagne (22kt Gold)	17 500 809-46 0010
	Champagne (22kt Gold)	17 500 809-47 0010
	Brushed Dark Platinum	17 500 809-99 0010

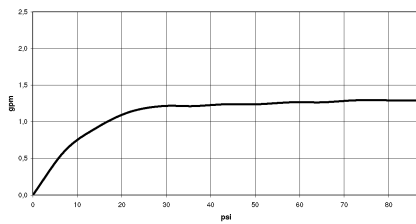
## Pillar tap cold water

17 500 809

mm [inches]



## Flow rate chart



## Spare parts list

No.	Item Number	Name	Quantity used	Delivery time
1	90 20 66 025 00-00	handle	1	10
2	90 90 03 175 00 90	top	1	2
3	90 28 22 381 01-00	spout	1	10
4	04 23 10 010 88 90	fixing set	1	2
5	04 30 04 102 00 90	High pressure hose 3/8"	1	2