
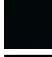
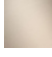


## Pillar tap cold water

17 500 662



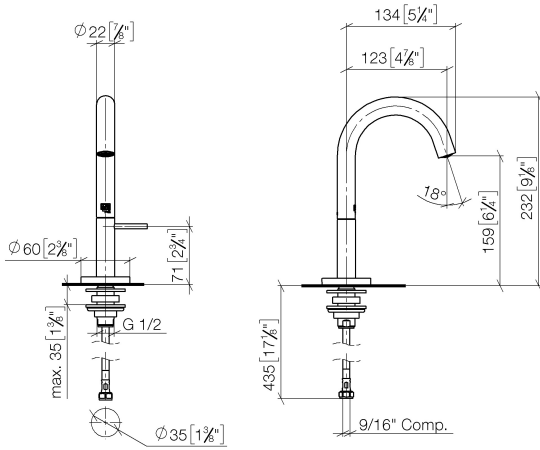
- 123 mm projection
- fixed spout
- circular, air-enriched flow
- height of mixer 232 mm
- height up to aerator 159 mm
- hole diameter 35 mm
- 1/2" connection
- rosette Ø 60 mm
- max. flow 4.5 l/min
- lead-free

	Chrome	17 500 662-00 0010
	Brushed Platinum	17 500 662-06 0010
	Matte Black	17 500 662-33 0010
	Brushed Champagne (22kt Gold)	17 500 662-46 0010
	Champagne (22kt Gold)	17 500 662-47 0010
	Brushed Chrome	17 500 662-93 0010

## Pillar tap cold water

17 500 662

mm [inches]



## Flow rate chart



## Spare parts list

No.	Item Number	Name	Quantity used	Delivery time
1	90 28 22 389 00-00	spout	1	10
2	90 20 66 024 10-00	handle	1	10
3	90 27 66 020 00-00	rosette	1	10
4	09 14 05 015 90	seal	1	2
5	09 28 10 079 90	ring	1	60
6	04 23 10 017 00 90	fixing set	1	60
7	04 30 04 102 00 90	High pressure hose 3/8"	1	2