

Deck-mounted basin spout without pop-up waste

13 716 670





- 165 mm projection
- fixed spout
- rectangular, air-enriched flow
- height of mixer 220 mm
- height up to aerator 170 mm
- hole diameter 35 mm
- rosette 60 x 60 mm
- 2x screw-in M 10 x 1 pressure hose, leak-tested
- 1/2" connection
- max. flow 4.5 l/min
- lead-free

Codes & standards

- NSF/ANSI 372
- This product can help a building to meet requirements of Green Building Rating Systems, e.g. LEED®, BREEAM®, DGNB, WELL

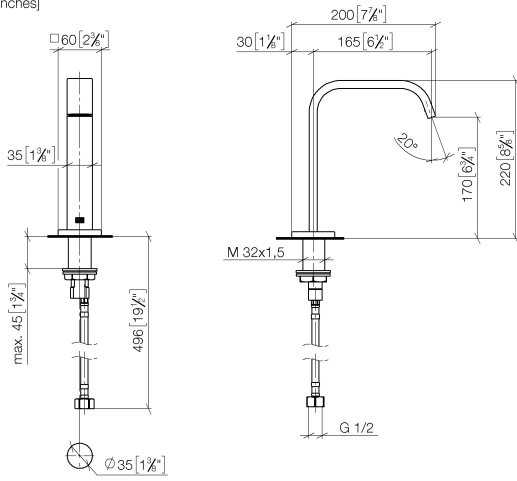
For Touchfree control please order eSet Touchfree WITH or WITHOUT temperature adjustment

| | | |
|---|----------------|--------------------|
|  | Chrome | 13 716 670-00 0010 |
|  | Brushed Chrome | 13 716 670-93 0010 |

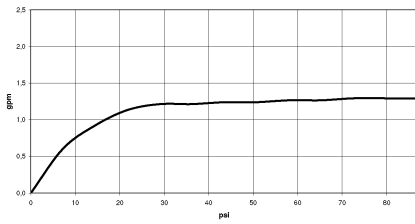
Deck-mounted basin spout without pop-up waste

13 716 670

mm [inches]



Flow rate chart



Codes & Standards

ASME
A112.18.1/CSA
B125.1

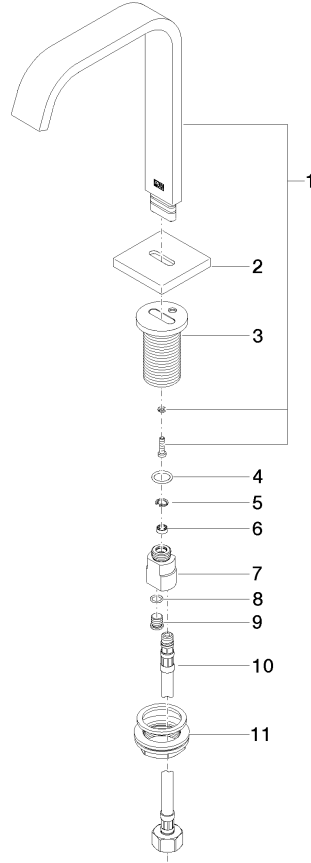
California Energy
Commission
(CEC)

NSF/ANSI 372

NSF/ANSI/CAN
61

Deck-mounted basin spout without pop-up waste

13 716 670



Spare parts list

| No. | Item Number | Name | Quantity used | Delivery time |
|-----|--------------------|--------------|---------------|---------------|
| 1 | 90 28 22 267 01-00 | spout | 1 | 10 |
| 2 | 09 27 78 034-00 | rosette | 1 | 10 |
| 3 | 09 11 10 054 10 90 | connection | 1 | 2 |
| 4 | 09 14 10 130 90 | seal | 1 | 2 |
| 5 | 09 16 01 016 90 | ring | 1 | 2 |
| 6 | 09 23 01 033 90 | flow reducer | 1 | 2 |
| 7 | 09 11 10 055 10 90 | connection | 1 | 2 |
| 8 | 09 14 10 060 90 | seal | 1 | 2 |
| 9 | 09 31 20 065 90 | plug | 1 | 2 |
| 10 | 04 30 04 019 00 90 | hose | 1 | 2 |
| 11 | 04 23 10 009 01 90 | fixing set | 1 | 2 |