

Deck-mounted basin spout with pop-up waste

13 715 782



- 200 mm projection
- US pop-up waste (only used in the USA)
- fixed spout
- rectangular, air-enriched flow
- height of mixer 321 mm
- height up to aerator 190 mm
- hole diameter 35 mm
- 2x screw-in M 10 x 1 pressure hose, leak-tested
- rosette 60 x 60 mm
- max. flow 4.5 l/min
- lead-free

Codes & standards

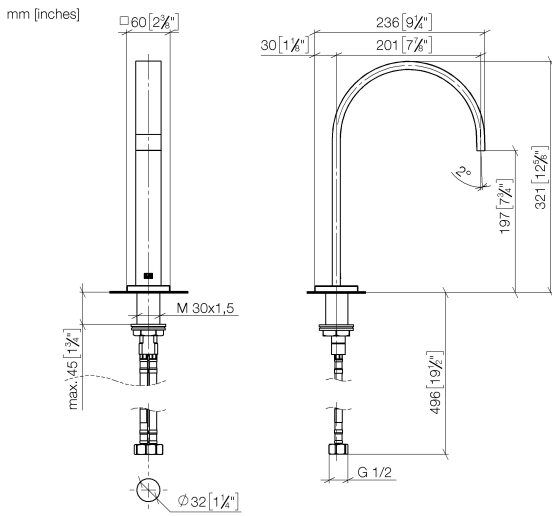
- NSF/ANSI 372
- This product can help a building to meet requirements of Green Building Rating Systems, e.g. LEED®, BREEAM®, DGNB, WELL

Only suitable for basins with an overflow.

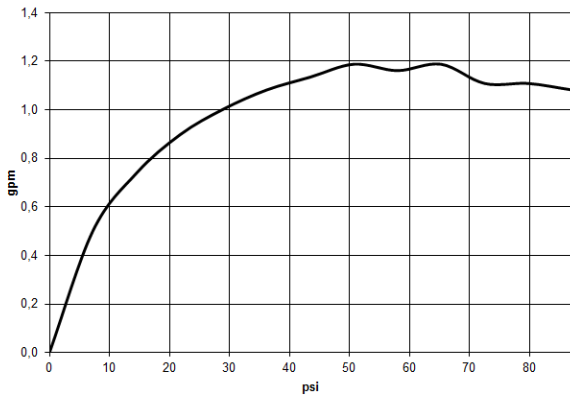
	Chrome	13 715 782-00 0010
	Brushed Platinum	13 715 782-06 0010
	Platinum	13 715 782-08 0010
	Dark Chrome	13 715 782-19 0010
	Brushed Durabronze (23kt Gold)	13 715 782-28 0010
	Brushed Champagne (22kt Gold)	13 715 782-46 0010
	Brushed Champagne (22kt Gold)	13 715 782-46
	Champagne (22kt Gold)	13 715 782-47 0010
	Brushed Dark Platinum	13 715 782-99 0010

Deck-mounted basin spout with pop-up waste

13 715 782



Flow rate chart



Codes & Standards

ASME
A112.18.1/CSA
B125.1

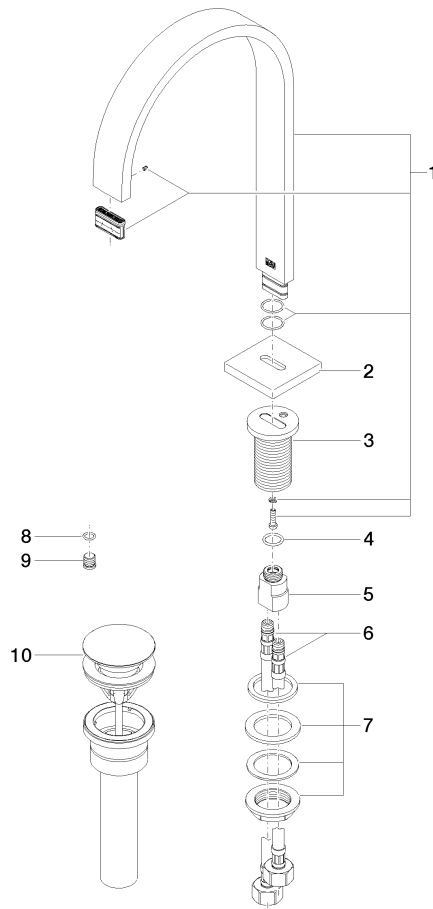
California Energy
Commission
(CEC)

NSF/ANSI 372

NSF/ANSI/CAN
61

Deck-mounted basin spout with pop-up waste

13 715 782



Spare parts list

No.	Item Number	Name	Quantity used	Delivery time
1	90 28 22 155 02-00	spout	1	10
2	09 27 78 034-00	rosette	1	10
3	09 11 10 054 10 90	connection	1	2
4	09 14 10 130 90	seal	1	2
5	09 11 10 055 10 90	connection	1	2
6	04 30 04 019 00 90	hose	2	2
7	04 23 10 009 01 90	fixing set	1	2
8	09 14 10 060 90	seal	1	2
9	09 31 20 065 90	plug	1	2
11	10 125 970-00 0010	Basin Waste 1 1/4"	1	2