

## Deck-mounted basin spout without pop-up waste

---

13 700 845

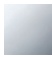





- 130 mm projection
- fixed spout
- circular, air-enriched flow
- height of mixer 95 mm
- height up to aerator 75 mm
- hole diameter 35 mm
- 1/2" connection
- max. flow 5.7 l/min
- lead-free

### Codes & standards

- NSF/ANSI 372
- This product can help a building to meet requirements of Green Building Rating Systems, e.g. LEED®, BREEAM®, DGNB, WELL

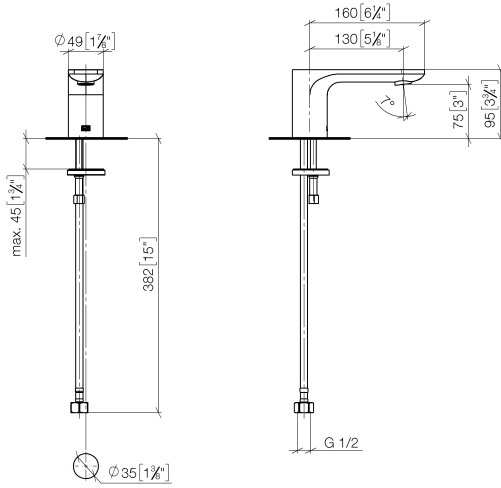
For Touchfree control please order eSet Touchfree WITH or WITHOUT temperature adjustment

	Chrome	13 700 845-00
	Dark Chrome	13 700 845-19
	Matte Black	13 700 845-33
	Brushed Chrome	13 700 845-93

**Deck-mounted basin spout without pop-up waste**

13 700 845

mm [inches]



**Flow rate chart**



**Codes & Standards**

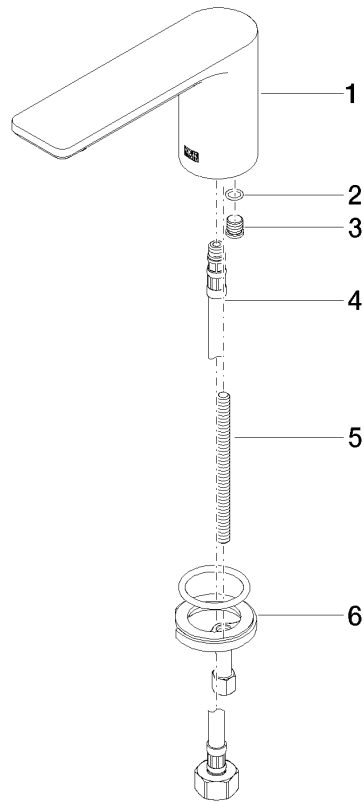
ASME  
A112.18.1/CSA  
B125.1

NSF/ANSI 372

NSF/ANSI/CAN  
61

**Deck-mounted basin spout without pop-up waste**

13 700 845



**Spare parts list**

No.	Item Number	Name	Quantity used	Delivery time
1	90 11 84 015 00-00	spout	1	10
2	09 14 10 060 90	seal	1	2
3	09 31 20 065 90	plug	1	2
4	04 30 04 019 00 90	hose	1	2
5	09 31 11 012 90	pin	1	2
6	04 30 11 038 75 90	fixing set	1	2