

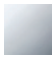




Bath spout without diverter for free-standing assembly

13 672 661



- 282 mm projection
- circular normal flow
- total height 811 - 881 mm
- height up to aerator 671 – 741 mm
- slide-on rosettes Ø 135 mm
- max. flow 28.6 l/min at 3 bar flow pressure

Codes & standards

	Chrome	13 672 661-00
	Brushed Platinum	13 672 661-06
	Dark Chrome	13 672 661-19
	Matte Black	13 672 661-33
	Brushed Chrome	13 672 661-93

Required miscellaneous

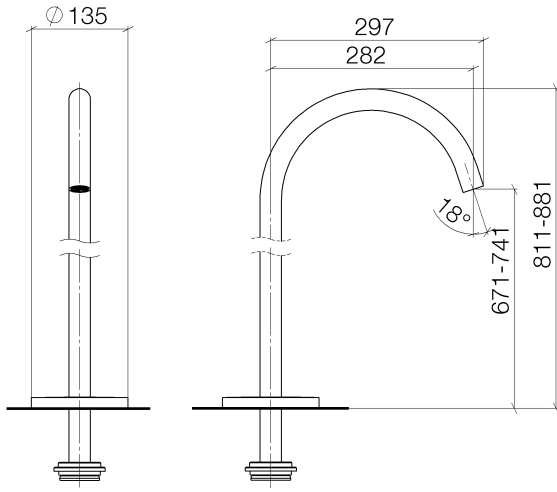


- Concealed floor mounting**
- min. recess depth 80 mm
 - max. recess depth 150 mm

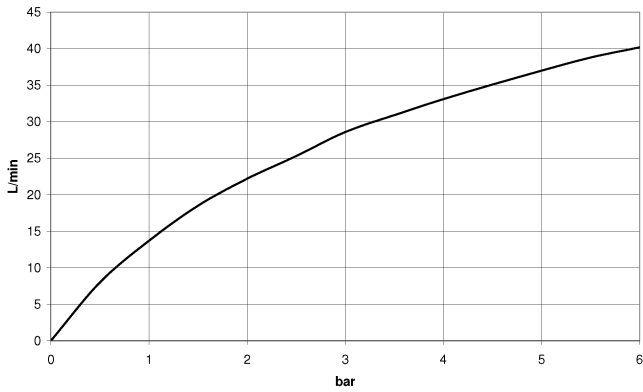
35 949 970-90
0010

Bath spout without diverter for free-standing assembly

13 672 661



Flow rate chart

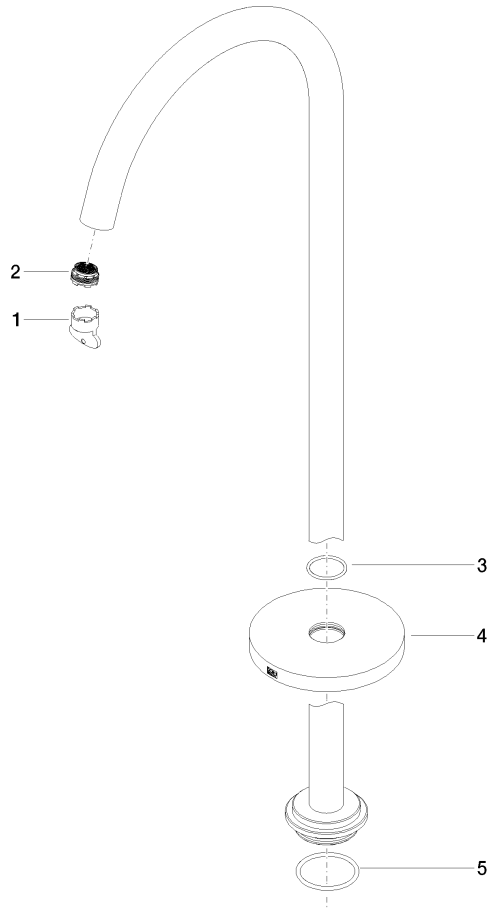


Codes & Standards

ASME
A112.18.1/CSA
B125.1

Bath spout without diverter for free-standing assembly

13 672 661



Spare parts list

No.	Item Number	Name	Quantity used	Delivery time
1	04 30 09 027 00 90	key	1	2
2	09 29 03 127 90	aerator	1	60
3	09 14 10 101 90	seal	1	2
4	09 27 85 003-00	rosette	1	10
5	09 14 10 084 90	seal	1	2