

## WATER FALL Cascade spout for wall mounting

13 420 979



- 120 mm projection
- cascade
- cover plate 240 x 60 mm
- 1/2" connection
- plug-link mounting
- max. flow 26.5 l/min at 3 bar flow pressure

**Codes & standards**

	Chrome	13 420 979-00
	Brushed Platinum	13 420 979-06
	Platinum	13 420 979-08
	Dark Chrome	13 420 979-19
	Brushed Durabronze (23kt Gold)	13 420 979-28
	Matte Black	13 420 979-33
	Brushed Champagne (22kt Gold)	13 420 979-46
	Champagne (22kt Gold)	13 420 979-47

### Required miscellaneous

**Concealed adapter**

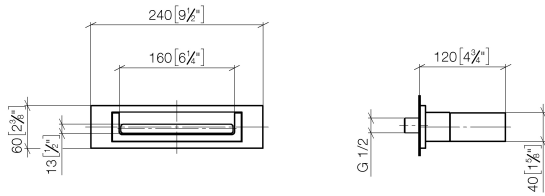
35 080 970-90  
0010



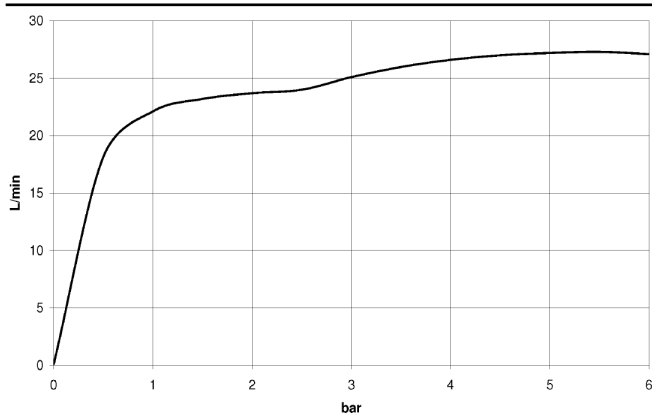
## WATER FALL Cascade spout for wall mounting

13 420 979

mm [inches]



### Flow rate chart

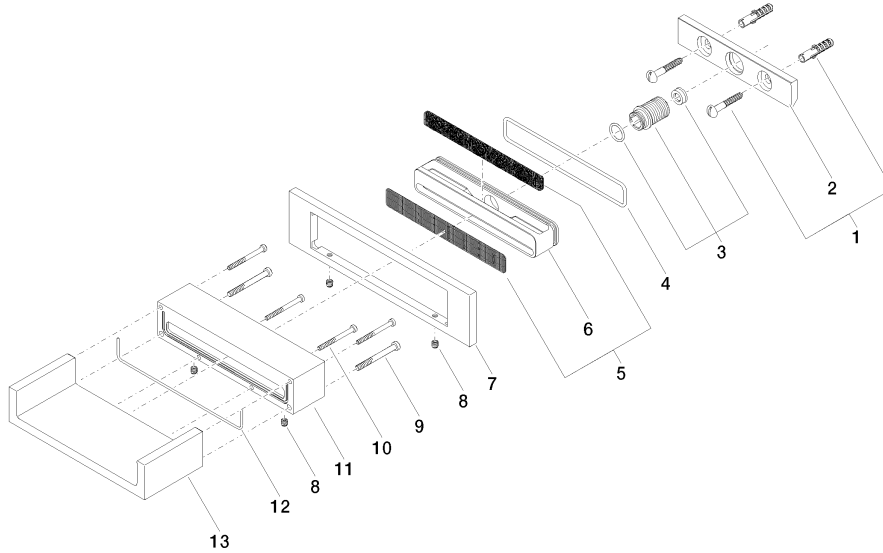


### Codes & Standards

ASME  
A112.18.1/CSA  
B125.1

**WATER FALL Cascade spout for wall mounting**

13 420 979



**Spare parts list**

No.	Item Number	Name	Quantity used	Delivery time
1	04 30 31 024 01 90	fixing set	1	2
2	09 17 97 056 90	holder	1	2
3	90 24 05 008 00 90	nipple set	1	2
4	09 14 10 504 90	seal	1	2
5	90 29 30 040 00 90	insert	1	2
6	09 17 11 044 20 90	distributor	1	2
7	09 27 97 034-00	rosette	1	10
8	09 31 11 049 90	pin	4	2
9	09 30 30 147 90	screw	2	2
10	09 30 30 086 90	screw	4	2
11	09 30 01 104-00	casing	1	10
12	09 14 03 504 90	seal	1	2
13	09 11 94 046-00	spout	1	10