

63243LF▲

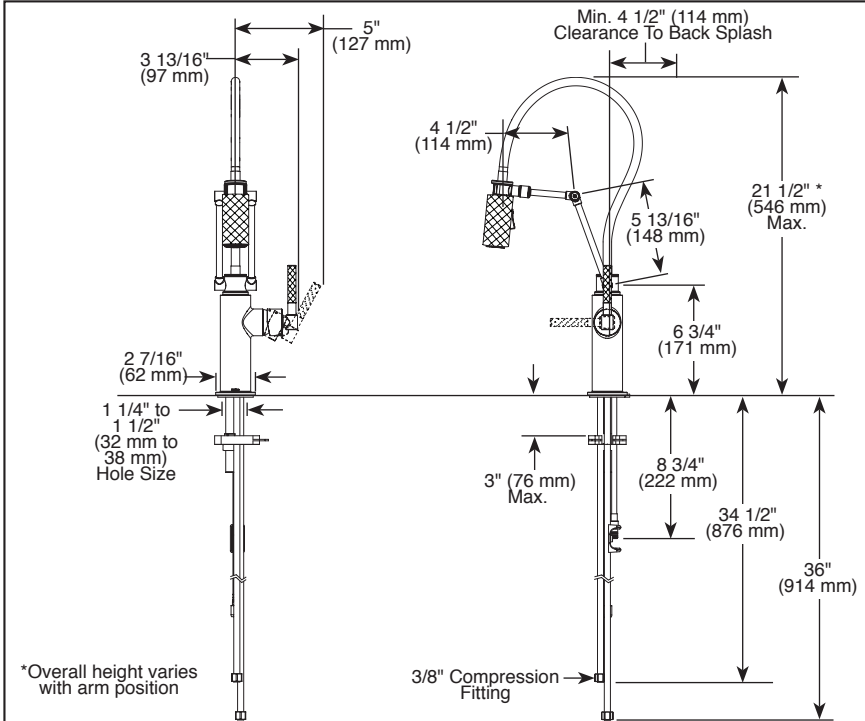


63244LF▲

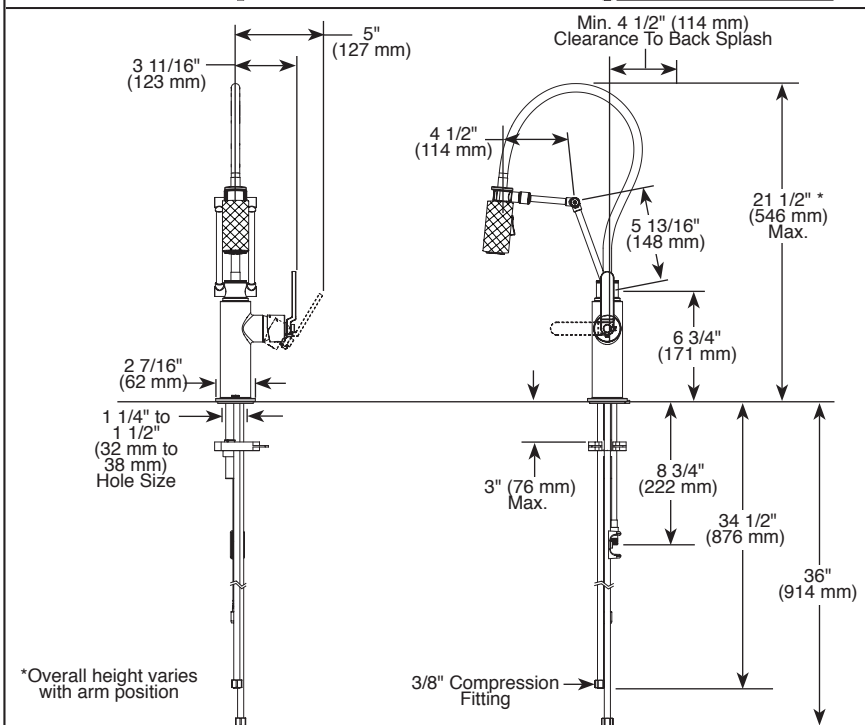


Submitted Model No.:

Specific Features:



*Overall height varies with arm position



*Overall height varies with arm position

▲ Designate proper finish suffix

Brizo Kitchen & Bath Company reserves the right (1) to make changes in specifications and materials, and (2) to change or discontinue models, both without notice or obligation. Dimensions are for reference only. See current full-line price book or www.brizo.com for finish options and product availability.

BSP-K-63243LF Rev. B

BRIZO®

KITCHEN FAUCETS

- Litze™ Collection
- Single Handle Articulating Deck Mount

FEATURES:

- MagneDock® Magnetic Docking

STANDARD SPECIFICATIONS:

- Maximum 1.8 gpm @ 60 psi, 6.8 L/min @ 414 kPa
- One hole mount
- Diamond coated ceramic cartridge
- 3/8" O.D. straight, staggered PEX supply lines
- Arm rotates 360°
- Two-function wand: Aerated stream or spray
- Dual integral check valves in sprayer
- Quick Snap® connect hoses
- 23" (584 mm) above-deck exposed hose

Note: Exterior arm screws are decorative and will NOT need to be tightened during the lifetime of the faucet. Turning or removing screws may hinder arm functionality and will void the faucet warranty.

WARRANTY

- Lifetime limited warranty on parts (other than electronic parts and batteries) and finishes: or, for commercial users, for 5 years from date of purchase.
- 5 year limited warranty on electronic parts (other than batteries); or, for commercial users, for 1 year from the date of purchase. No warranty is provided on batteries.

COMPLIES WITH:

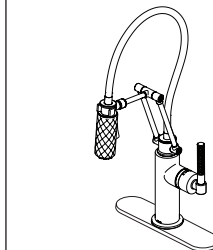
- ASME A112.18.1 / CSA B125.1
- ASME A112.18.6

 Indicates compliance to ICC/ANSI A117.1

- Verified compliant with .25% weighted average Pb content regulations.

RP71451▲

Models compatible with optional three-hole escutcheon (not included)



Brizo Kitchen & Bath Company

55 E. 111th Street, Indianapolis, Indiana 46280
350 South Edgeware Road, St. Thomas, ON N5P 4L1
© 2017 Brizo Kitchen & Bath Company