

BRIZO®

HOT WATER DISPENSERS

- Single Handle Deck Mount
- 1 Hole Sink Applications
- Integrated Supply Tubes
- Compatible exclusively with InSinkErator® hot water tanks
- Engineered to function with HWT300-F2000S, HWT300-F3000S or HWT-300 InSinkErator® tank models
- Tank and filter not available from Brizo

FEATURES:

- Lumicoat® Finishes easily wipe clean without cleaners and chemicals on the products most commonly touched areas

STANDARD SPECIFICATIONS:

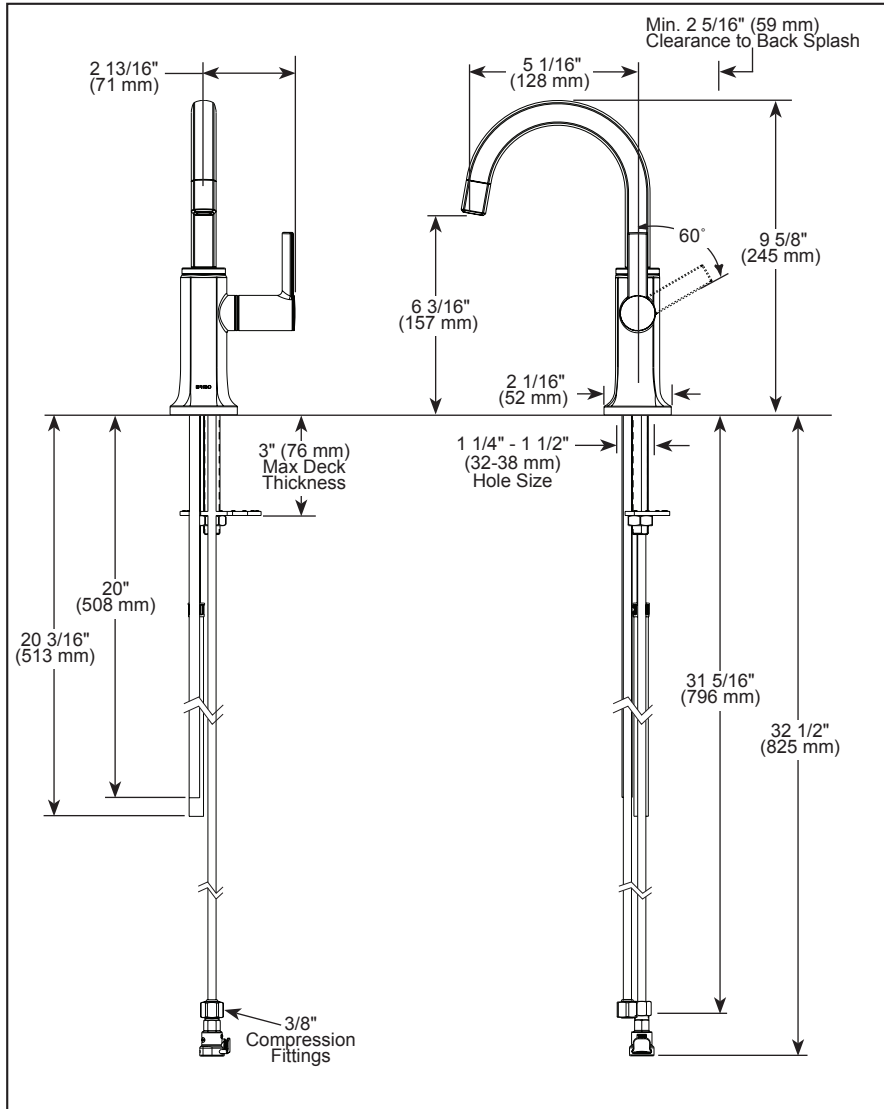
- Laminar water stream with max flow rate 1.0 gpm @ 60 psi, 3.8 L/min @ 414 kPa
- Solid brass construction
- Spout swings 360°
- Self closing handle
- Spring Loaded ceramic disc valve cartridge
- Insulated body and spout to reduce heat transfer to faucet
- Mounting wrench to assist in tightening mounting nut securely
- Integrated supply tube with 3/8" compression fitting

WARRANTY

- Parts and Finish - Lifetime limited warranty; or for commercial purchasers, 10 years for multi-family residential (apartments and condominiums) and 5 years for all other commercial uses, in each case from the date the product is received by the original purchaser or their authorized representative (installation contractor, etc.).
- Electronic Parts and Batteries (if applicable) - 5 years from the date the product is received by the original purchaser or their authorized representative (installation contractor, etc.); or for commercial purchasers, 1 year from the date the product is received by the original purchaser or their authorized representative (installation contractor, etc.). No warranty is provided on batteries.

COMPLIES WITH:

- ASME A112.18.1 / CSA B125.1
- ASME A112.18.6
- ♿ Indicates compliance to ICC/ANSI A117.1



▲ Designate proper finish suffix