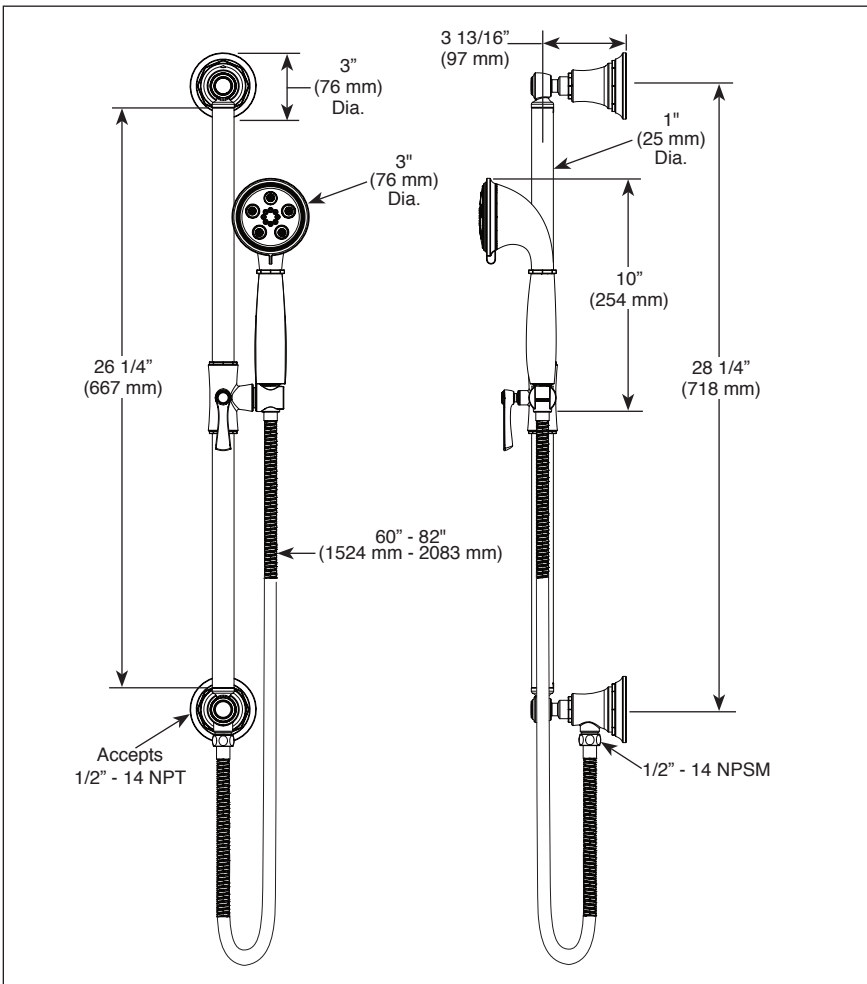


88761▲



Submitted Model No.: \_\_\_\_\_

Specific Features: \_\_\_\_\_



▲ Designate proper finish suffix

**Spray Pattern**



H<sub>2</sub>Okinetic Technology®



Massaging Spray



Pause

◆ Your Brizo Faucet hand shower incorporates a backflow protection system that has been tested to be in compliance with ASME A112.18.3. It incorporates two certified check valves in series, which operate independently and are integral, non-serviceable parts of the wand assembly.

Brizo Kitchen & Bath Company reserves the right (1) to make changes in specifications and materials, and (2) to change or discontinue models, both without notice or obligation. Dimensions are for reference only. See current full-line price book or [www.brizo.com](http://www.brizo.com) for finish options and product availability.

BSP-B-88761 Rev. D

# BRIZO® HAND SHOWER W/ SLIDE BAR

■ Rook™ Collection

**FEATURES:**

- Multi function handshower featuring H<sub>2</sub>Okinetic Technology®

**STANDARD SPECIFICATIONS:**

- Maximum 1.75 gpm @ 80 psi, 6.6 L/min @ 550 kPa
- Wall bar with adjustable slide (allows for adjustable shower height). Not to be used as a grab bar.
- 60" - 82" (1524 mm - 2083 mm) stretchable finished metal hose
- Wall bar includes integrated elbow for hose connection
- Slide bar can be installed with hose connection on top if desired

**WARRANTY**

- Lifetime limited warranty on parts (other than electronic parts and batteries) and finishes; or, for commercial users, for 5 years from date of purchase.
- 5 year limited warranty on electronic parts (other than batteries); or, for commercial users, for 1 year from the date of purchase. No warranty is provided on batteries.



**COMPLIES WITH:**

- ASME A112.18.1 / CSA B125.1 ◆
- Indicates compliance to ICC/ANSI A117.1 - Applies to handshower only
- EPA WaterSense®

**Brizo Kitchen & Bath Company**

55 E. 111th Street, Indianapolis, Indiana 46280  
350 South Edgeware Road, St. Thomas, ON N5P 4L1  
© 2017 Brizo Kitchen & Bath Company