

Features

- Solid brass construction
- 3/8" NPT Inlet X 3/8" O.D. Compression Outlet
- Cross Handle

Tank & Lavatory Angle Valve
404X



Codes / Standards Compliance

Meets or exceeds the following at date of manufacture:

- ASME A112.18.1/CSA B125.1
- IAMPO/cUPC
- NSF/ANSI/CAN 61, SECTION 9
- NSF/ANSI 372
- IPC
- All applicable US Federal and State material regulations



Colors / Finishes

- 10B: Oil Rubbed Bronze
- 15: Polished Nickel
- 15S: Satin Nickel - PVD
- 26: Polished Chrome
- Other: Refer to the Newport Brass catalog for additional color/finish options.

Specified Model

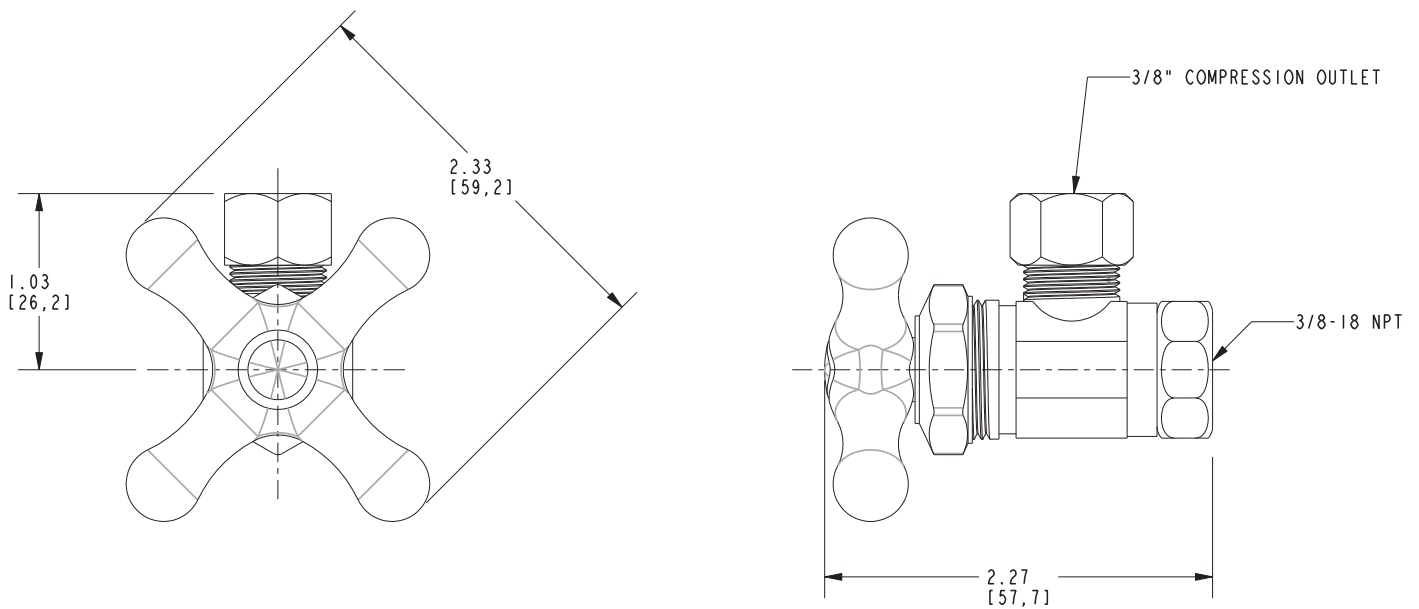
Model	Description	Colors Finishes
404X	Tank & Lavatory Angle Valve	<input type="checkbox"/> 10B <input type="checkbox"/> 15 <input type="checkbox"/> 15S <input type="checkbox"/> 26 <input type="checkbox"/> Other

Product Specification Add "Color / Finish" suffix to Model number, below.

Angle Valve shall be made of solid brass construction. Valve shall have 3/8" NPT Inlet X 3/8" O.D. Compression Outlet with Cross Handle. Angle Valve shall be Newport Brass Model 404X/_____.

404X

Product Dimensions are provided for reference only. For specific product installation guidelines, please reference the Installation Instructions of the product being installed.



Brasstech Tank & Lavatory Angle Valve 404X