

Kitchen Disposal Flange
112A

Features

- Solid brass construction
- Fits most Farm Style and Fireclay sinks 2-1/2" deep
- Includes disposer flange only
- Complements various product series

Codes / Standards Compliance

Meets or exceeds the following at date of manufacture:

- All applicable US Federal and State material regulations



Colors / Finishes

- 10B: Oil Rubbed Bronze
- 15: Polished Nickel
- 15S: Satin Nickel - PVD
- 26: Polished Chrome
- Other: Refer to the Newport Brass catalog for additional color/finish options.

Specified Model

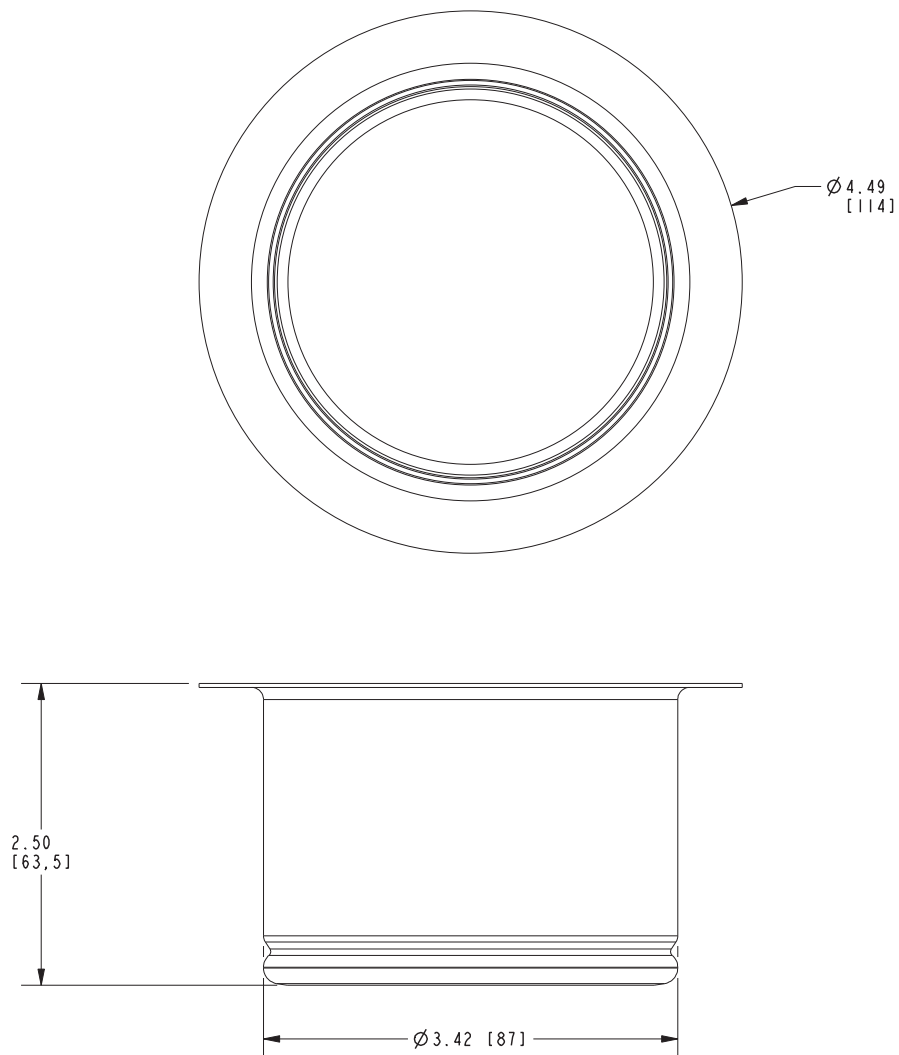
Model	Description	Colors Finishes
112A	Kitchen Disposal Flange	<input type="checkbox"/> 10B <input type="checkbox"/> 15 <input type="checkbox"/> 15S <input type="checkbox"/> 26 <input type="checkbox"/> Other

Product Specification Add "Color / Finish" suffix to Model number, below.

The disposal flange shall be made of solid brass construction. Product is designed to fit most garbage disposer models (see dimensions). The Garbage Disposal Flange shall be Newport Brass Model 112A/_____.

112A

Product Dimensions are provided for reference only. For specific product installation guidelines, please reference the Installation Instructions of the product being installed.



Brasstech Kitchen Disposal Flange 112A