



FEATURES

- Solid brass construction - **LEAD FREE**
- Single volume and temperature lever control
- Aerated water flow
- Press pop-up drain with overflow # ABDR00699
- Ceramic cartridge # ABCA04500
- 3/8" connection
- 18" stainless steel braided supply hose

FINISHES

Standard

- Polished chrome (pc)
- Brushed nickel (bn)

Custom

- 19 custom finishes available
- (ask your local Aquabress authorized dealer for details)

WARRANTY

- Residential: Limited lifetime warranty to original purchaser
- Commercial: Two years warranty
- (Complete warranty available at www.aquabress.com/warranty)

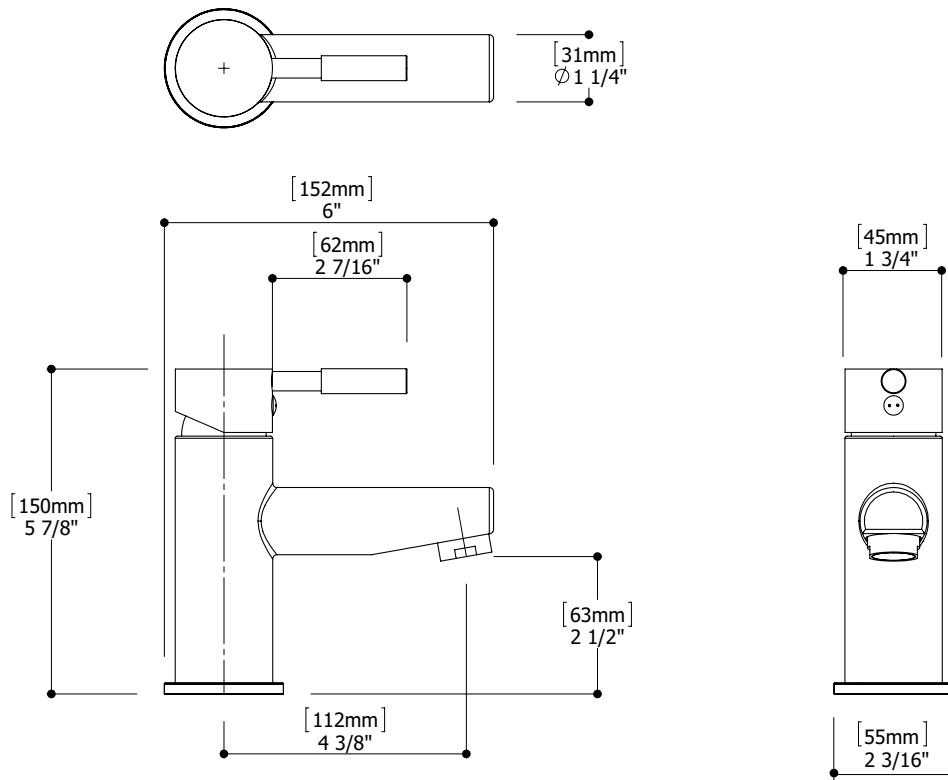
CODE & COMPLIANCE

AB1953

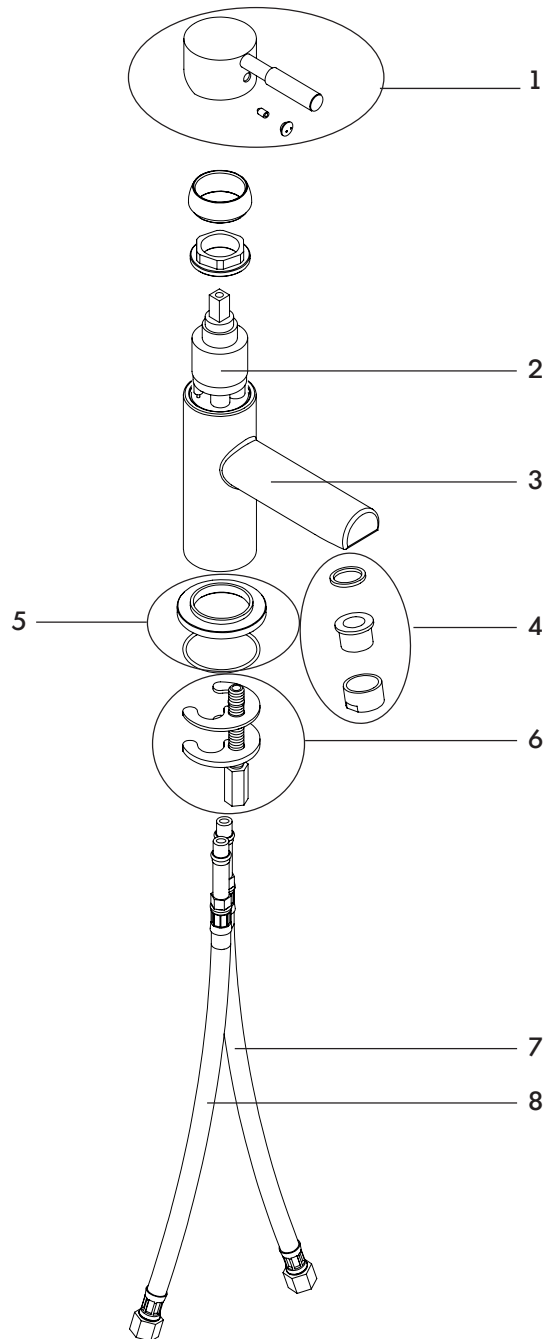
SPECS AT LARGE

- Overall spout projection: 6"
- CC spout projection: 4 1/4"
- Total faucet height: 5 7/8"

- Flow rate: 1.5 gpm
- Mounting hole: 1 3/8"
- Counter depth: 1 3/8"



EXPLOSION PARTS



Item	Code	English	Français
1	ABFC78273	Handle Kit	Ensemble poignée
2	ABCA04075	35mm cartridge	Cartouche 35mm
3	ABFC10475	Faucet body	Corps du robinet
4	ABAE14003	Aerator kit	Ensemble aérateur

Item	Code	English	Français
5	ABFP07120	Faucet base kit	Ensemble base de robinet
6	ABFP09171	Retainer kit	Ensemble de fixation
7	ABFH09227	Cold water hose	Flexible d'eau froide
8	ABFH09224	Hot water hose	Flexible d'eau chaude