

# AMERICH<sup>®</sup>

## SIRENA™ 7234



### DIMENSIONS

72" x 34" x 24" deep (1829 x 914 x 533 mm)  
Gallon to Overflow = 85 (Liters = 322)  
Height to Overflow = 15<sup>3</sup>/<sub>4</sub>" (400 mm)

### MATERIAL

Polymer Composite

### TUB FLOOR

Non-Textured

**UNDERMOUNT:** No

### APPROVALS & COMPLIANCE



Americh products meet or exceed the following standards:

- Underwriters Laboratories (UL)
- Underwriters Laboratories - Canada (cUL)
- Canadian Standards Association - (CSA)
- ANSI Z124.1 • ANSI A112-19.7
- ANSI A112.19.8

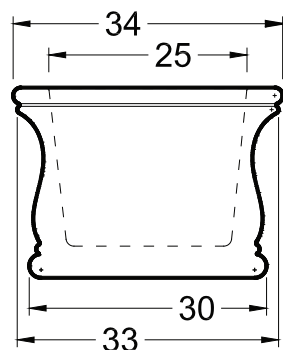
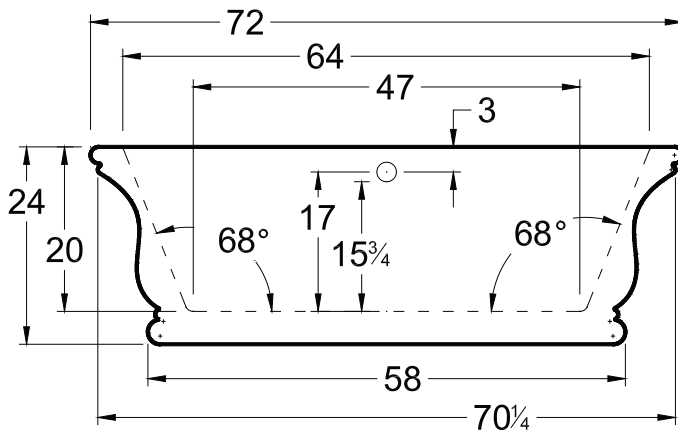
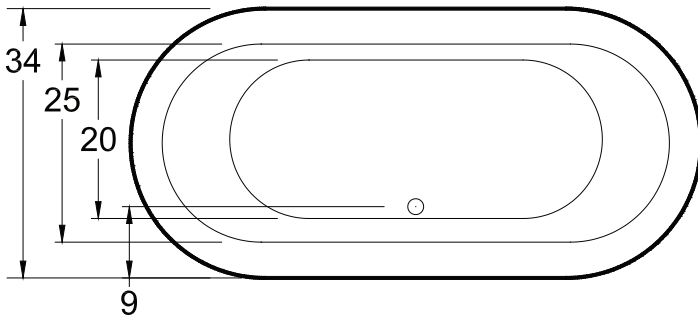
Contact Americh for additional approvals.

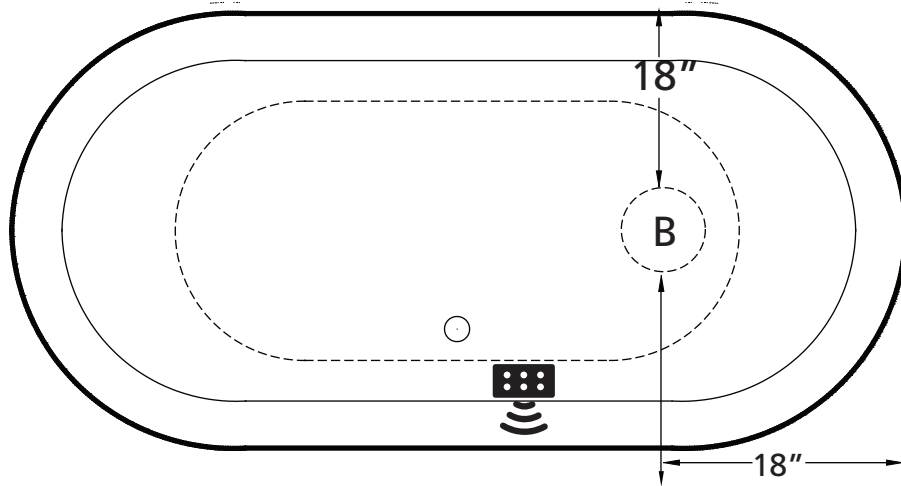
### STANDARD EQUIPMENT

- Americh Remote Control
- Integral Waste & Overflow with Polished Chrome trim  
Available with polished brass, polished nickel, satin nickel, oil rubbed bronze or white trim at no additional charge if specified at the time of order. Requests after order is shipped are subject to a \$75 list charge for trim

### OPTIONAL ACCESSORIES

- Pillows: 12"
- Stainless steel chain and stopper kit
- Waste & Overflow Upgrades
- Linear Waste & Overflow





Airbath System III

Blower must be remotely located  
(Diagram is required for custom blower connection locations)

**LEGEND**



Blower



REMOTE CONTROL  
(With INVISIBLE MAGNETIC HOLDER)

**INSTALLATION TIPS**

- Install according to Owner's Manual and local codes.
- Airbath III units may be 1½" - 2½" higher than stated.
- Any whirlpool or Airbath® unit requires an access panel.
- Hot water supply should be 65-75% of tub capacity or greater.
- Always consult your local plumber for recommendations as installations will vary.

**ELECTRICAL REQUIREMENTS**

Americh recommends one 20 amp ground fault circuit interrupter (GFCI) for each power supply provided with the bathtub.