

# AMERICH<sup>®</sup>

## DARYA™ 6636



### DIMENSIONS

66" x 36" x 22" ( 1676 x 914 x 559 mm)  
Gallon to Overflow = 62 (Liters = 235)

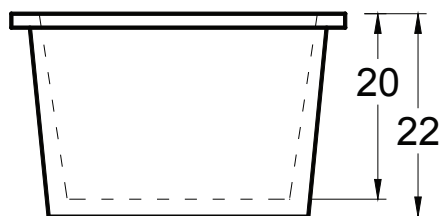
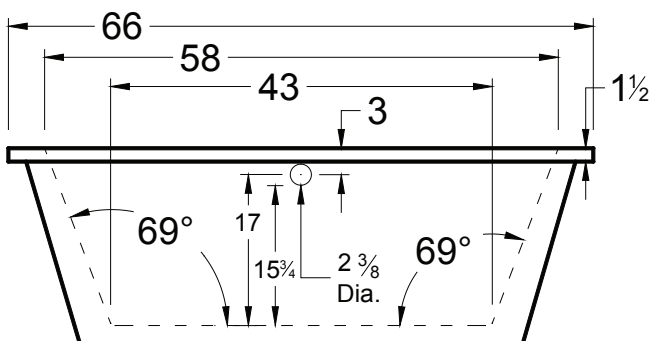
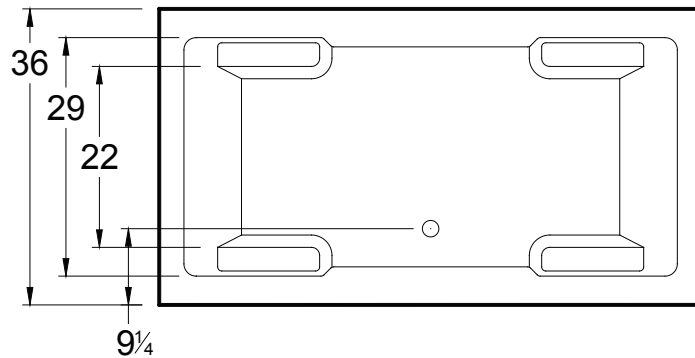
### MATERIAL

Acrylic

### TUB FLOOR

Textured

UNDERMOUNT: No



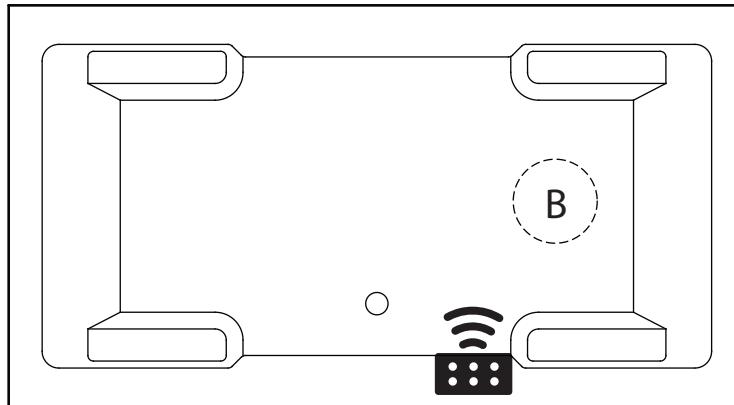
### APPROVALS & COMPLIANCE



Americh products meet or exceed the following standards:

- Underwriters Laboratories (UL)
- Underwriters Laboratories - Canada (cUL)
- Canadian Standards Association - (CSA)
- ANSI Z124.1 • ANSI A112-19.7
- ANSI A112.19.8

Contact Americh for additional approvals.



Blower



REMOTE CONTROL  
(With INVISIBLE MAGNETIC HOLDER)

### Airbath System III

Blower must be remotely located

(Diagram is required for custom blower connection locations)

#### STANDARD EQUIPMENT

- Americh Remote Control (with AirBath System only)
- Integral Waste & Overflow in polished chrome trim  
Note: Available with PB, PN, SN, ORB or WH trim at no additional charge if specified at time of order. (Requests after order is shipped are subject to \$75 charge for trim.)

#### INSTALLATION TIPS

- Install product according to Owners Manual and local codes.
- Hot water supply should be 65-75% of tub capacity or greater. Always consult your local plumber for recommendations as installations will vary.

#### OPTIONAL ACCESSORIES

- Dual Color (Premium Color Upcharge)
- Pillows: 12" - Angle
- Lo Profile Tub Edge
- Waste & Overflow Upgrades
- Linear Waste & Overflow

#### ELECTRICAL REQUIREMENTS

Americh recommends one 20 amp ground fault circuit interrupter (GFCI) for each power supply provided with the bathtub.